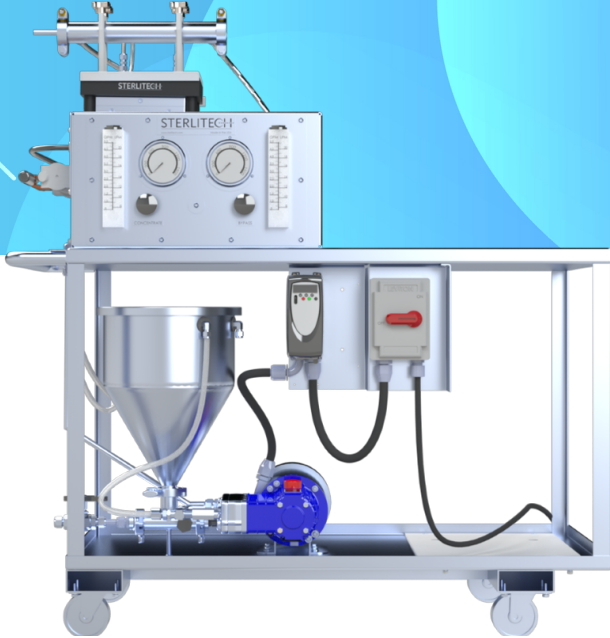


Analog Hybrid Test Skid

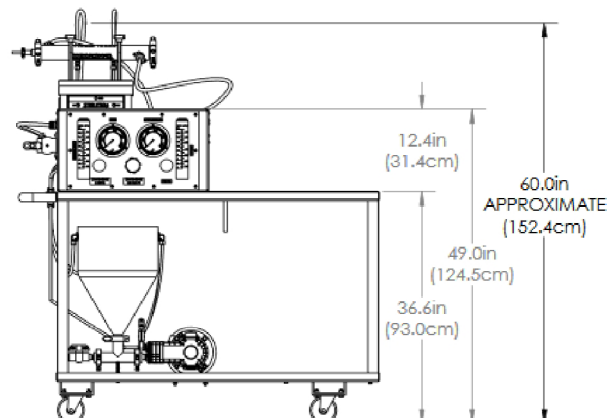
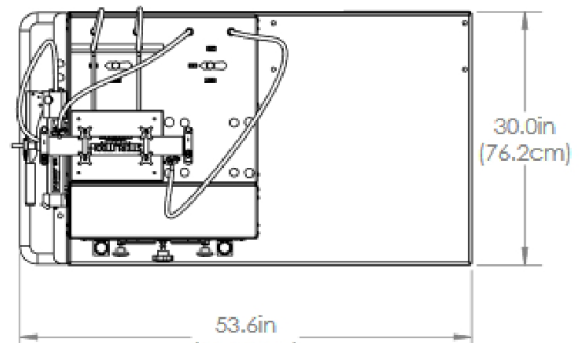
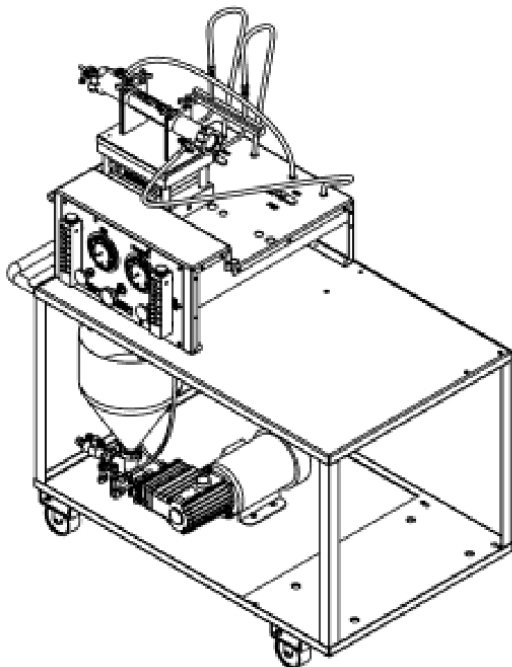


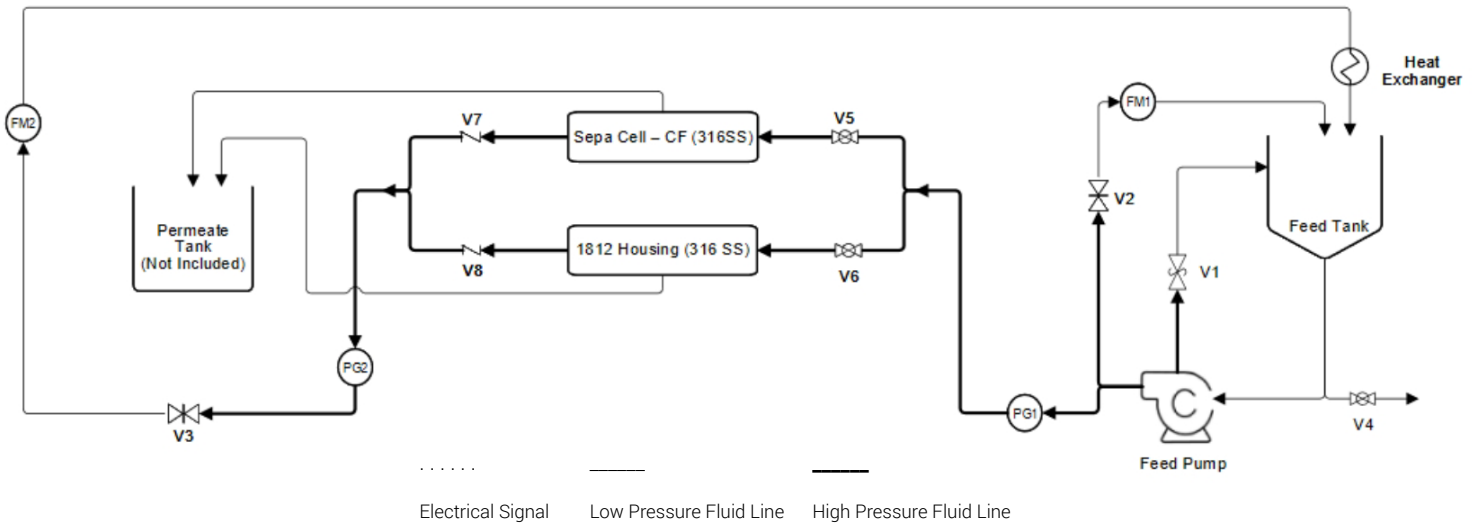
This system is our most popular membrane testing system, which allows users to operate tests with flat sheet membranes as well as small spiral wound elements. It contains our Stainless Steel Sepa Cell and 1812 Spiral Wound element Housing. With one system, two testing scales can be achieved. This system is best for those who are doing RO, NF, UF, or MF experiments and perform membrane fabrication/surface modifications, feasibility studies, or membrane screening with the intent of eventually scaling up their work up in the future.

Specifications:

Cell Type	1812 Housing (316SS), Sepa CF (316SS)
Membrane Sample Size ¹	1812: max 0.5 m ² , Sepa: 140 cm ²
Configuration	2 Parallel Lines
Feed Flow Rate	11.7 LPM (3.1 GPM)
Max Pressure	69 bar (1,000PSI)
Data Monitoring ²	Pressure, Flow Rate
Max Temperature	82 °C (180 °F)
Electrical Supply	110V / 50/60Hz / 1 Phase
Pump and Motor Rating	Hydracell Diaphragm Pump, Leeson Washguard Motor

Analog Hybrid Test Skid Dimensions





Analog Hybrid Test Skid P&ID

Legend

V1	Feed Pressure Relief Valve
V2	Feed Bypass Valve
V3	Low Pressure Control Valve
V4	Drain Valve
V5	Bank Selector Valve #1
V6	Bank Selector Valve #2
V7	Back Flow Preventer Valve #1
V8	Back Flow Preventer Valve #2
PG1	Feed Pressure Gauge
PG2	Concentrate Pressure Gauge
FM1	Feed Bypass Flow Meter
FM2	Concentrate Flow Meter