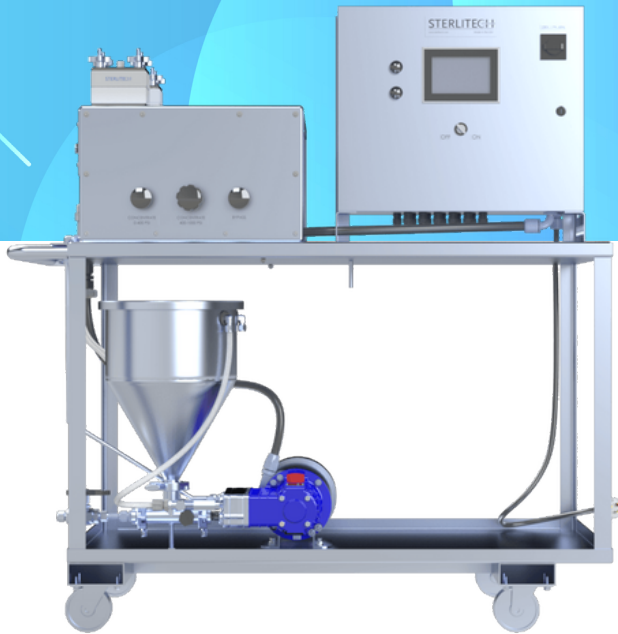


Digital CF Explorer Skid

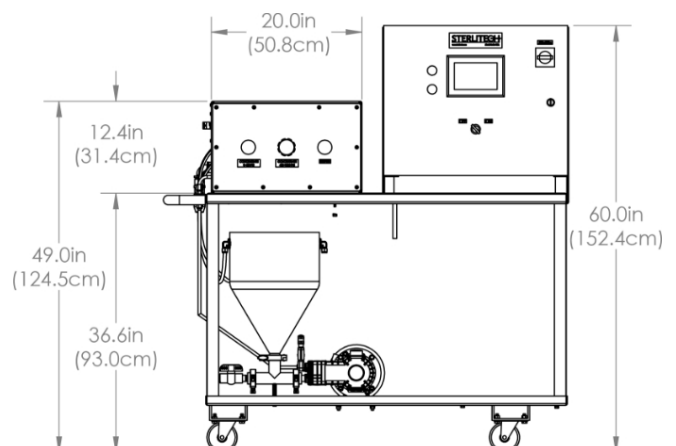
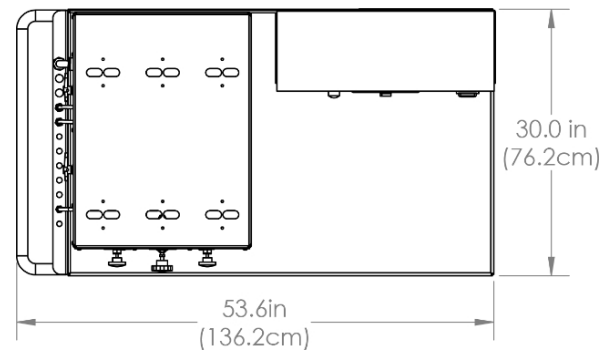
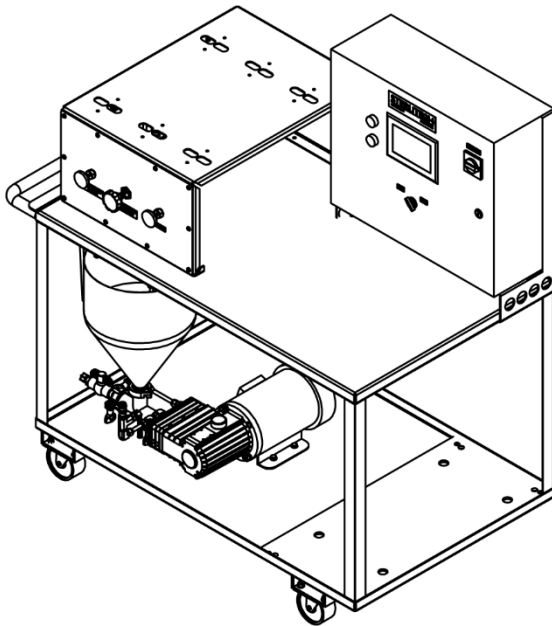


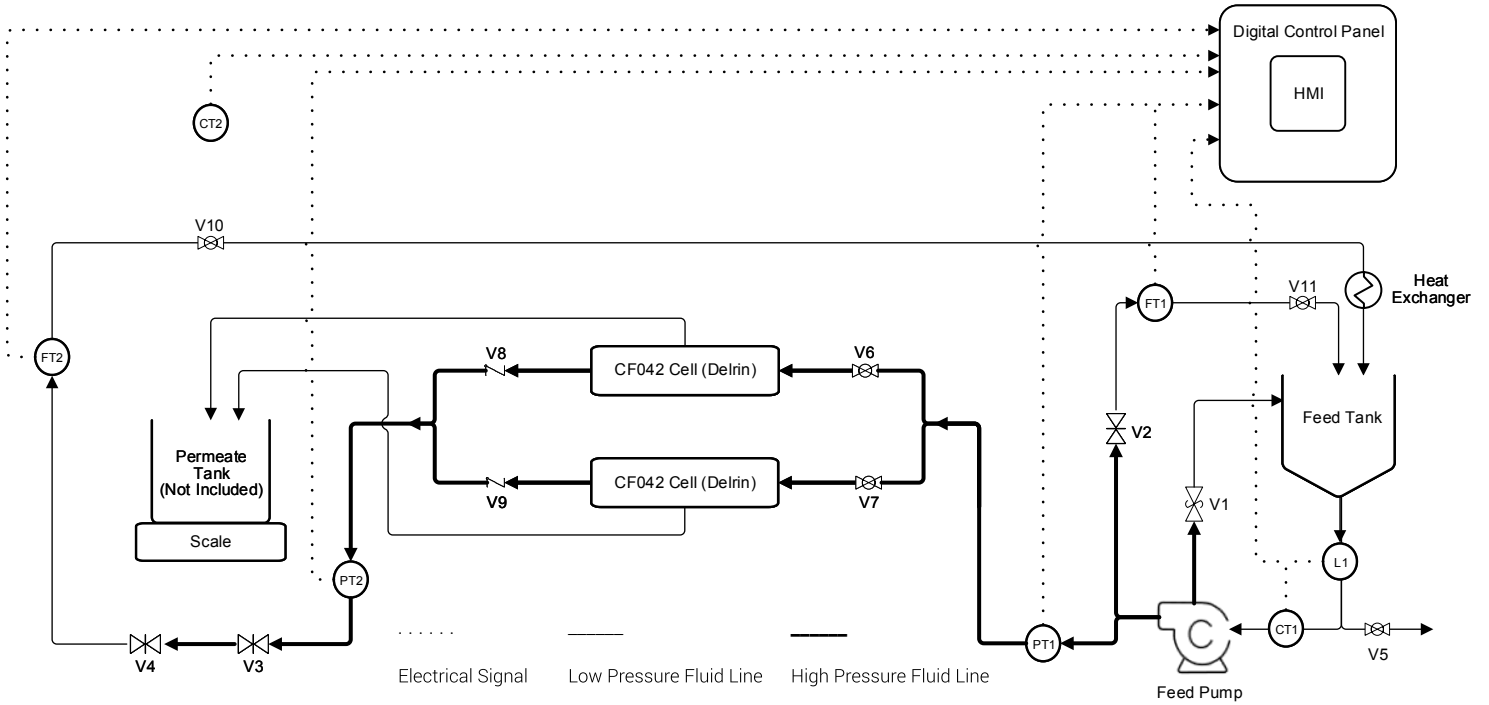
This system is tailored towards providing testing of membranes with high throughput. It is outfitted with two of our CF042 membrane test cells which can allow the researcher to test two of the same or two different membranes under the same test conditions. Additional cells can be placed in series for an additional cost to further increase the amount of tests done in one run. The ideal customer for this system will want to screen/quality test as many membranes as possible in the shortest amount of time.

Specifications:

Cell Type	2x CF042 (Delrin)
Membrane Sample Size ¹	CF042: 42 cm ² per cell
Configuration	2 Parallel Lines
Feed Flow Rate	6.7 LPM (1.7 GPM)
Max Pressure	69 bar (1,000PSI)
Data Monitoring ²	Pressure, Flow Rate, Temperature, Conductivity, Scale
Max Temperature	82 °C (180 °F)
Electrical Supply	110V / 50/60Hz / 1 Phase
Pump and Motor Rating	Hydracell Diaphragm Pump, Leeson Washguard Motor

Digital CF Explorer Skid Dimensions





Digital CF Explorer Skid P&ID

Legend

V1	Feed Pressure Relief Valve
V2	Feed Bypass Valve
V3	Low Pressure Control Valve
V4	High Pressure Control Valve
V5	Drain Valve
V6	Bank Selector Valve #1
V7	Bank Selector Valve #2
V8	Back Flow Preventer Valve #1
V9	Back Flow Preventer Valve #2
V10	Quick Disconnect Valve
V11	Quick Disconnect Valve
PT1	Feed Pressure Transmitter
PT2	Concentrate Pressure Transmitter
FT1	Feed Bypass Flow Rate Transmitter
FT2	Concentrate Flow Rate Transmitter
CT1	Feed Inlet Conductivity/Temperature Transmitter
CT2	Remote Conductivity/Temperature Transmitter
L1	Level Switch