

Sterlitech™ 1812 Membrane Test Skid - Analog

Sterlitech™ 1812 Membrane Test Skids are designed to evaluate the performance of membranes widely used in Reverse Osmosis, Nanofiltration, Ultrafiltration, and Microfiltration applications by simulating the flow dynamics of larger, commercially available membrane systems. This test skid offers experimental control by allowing adjustment of the flow parameters to accommodate a wide range of applications. This system has been specifically configured for use with standard 1812 spiral wound elements.

APPLICATIONS:

- Biological or Biopharmaceutical Processing
- Concentration of Fruit Juices and Extracts
- Food and Beverage Processing
- Desalination of Brackish Water or Seawater
- Purification of Rinse Water in Electroplating Tanks
- Municipal or Industrial Water and Wastewater Purification

STANDARD FEATURES:

- Operating pressures to 600 psi (41 bar)
- Polypropylene Feed Tank
- All Wetted Parts are Stainless Steel or Inert Thermoplastics
- High-Pressure, Stainless Steel Diaphragm Pump



SPECIFICATIONS:

Cell Type

1812 Stainless Steel 316 Housing

Number of Cells

1 of Each

Can be Customized with Combinations of Cross Flow Cells

Membrane Sample Size¹

1812 Housing: 1.8 in dia. x 12 in length spiral wound element

Effective Membrane Area¹

1812 Spiral Wound Element: Variable (max. 0.45m²)

Feed Flow Rate

1.8 GPM (6.7 LPM) max.

Feed Controls

Concentrate Pressure Control Valves: 0-600 psi (0-41 bar)

Data Monitoring²

Flow Rate, Pressure, Temperature, Conductivity, Weight

Operating Pressure Range

0-600 psi (0-41 bar)

Electrical Supply

110V/60Hz, 1 Ph or 220V/60Hz, 1 Ph

Pump and Motor Rating

Washguard Electric Motor
Positive Displacement Pump

System Dimensions/Weight

67 x 41 x 59 in (170 x 104 x 150 cm)
650 lbs (295 kg)

Optional Accessories

Temperature Controller, pH Sensor, Digital Balance

STERLITECH CORPORATION

Web: www.sterlitech.com

Local: 253-437-0844

Toll-Free: 1-877-544-4420

E-Mail: info@sterlitech.com

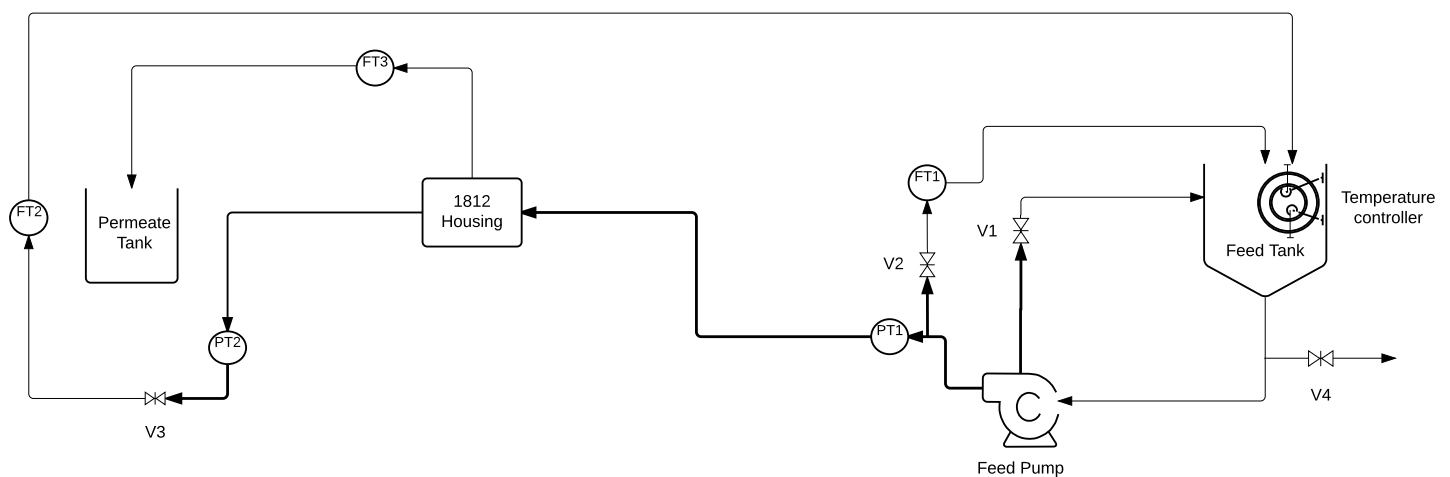
Footnotes:

¹ Per Cell

² Optional

Sterlitech™ 1812 Membrane Test Skid - Analog

Analog Skid Configured with 1812 Housing



Legend

V1: Feed pressure relief valve
 V2: Feed by-pass valve
 V3: Concentrate pressure control valve
 V4: Drain valve
 PT1: Feed pressure gauge
 PT2: Concentrate pressure gauge
 FT1: Feed by-pass flow meter
 FT2: Concentrate flow meter
 FT3: 1812 permeate flow meter

—→ Low pressure fluid line
 —→ High pressure fluid line

STERLITECH CORPORATION

Web: www.sterlitech.com

Local: 253-437-0844

Toll-Free: 1-877-544-4420

E-Mail: info@sterlitech.com