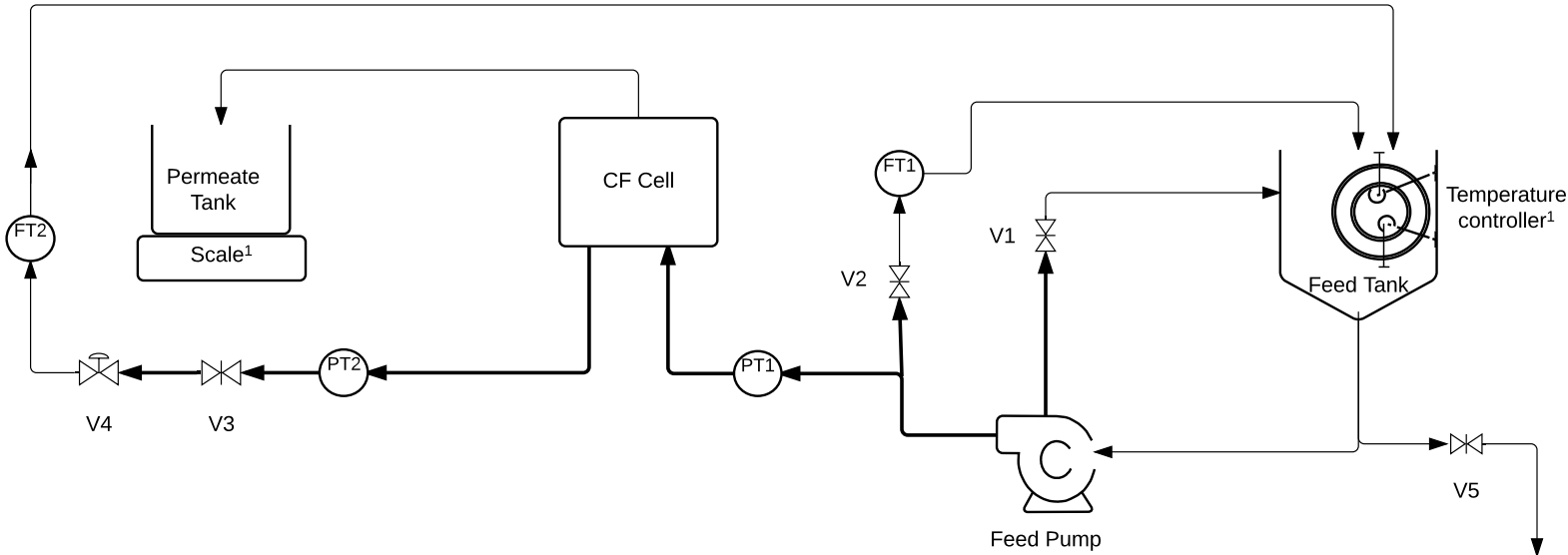


Analog System Configured with a Single CF Cell



Legend

- V1: Pressure relief valve¹
- V2: By-pass valve
- V3: Low pressure control valve
- V4: High pressure control valve¹
- V5: Drain valve
- PT1: Feed pressure gauge¹
- PT2: Concentrate pressure gauge
- FT1: Feed flow meter¹
- FT2: Concentrate flow meter

¹ Optional

