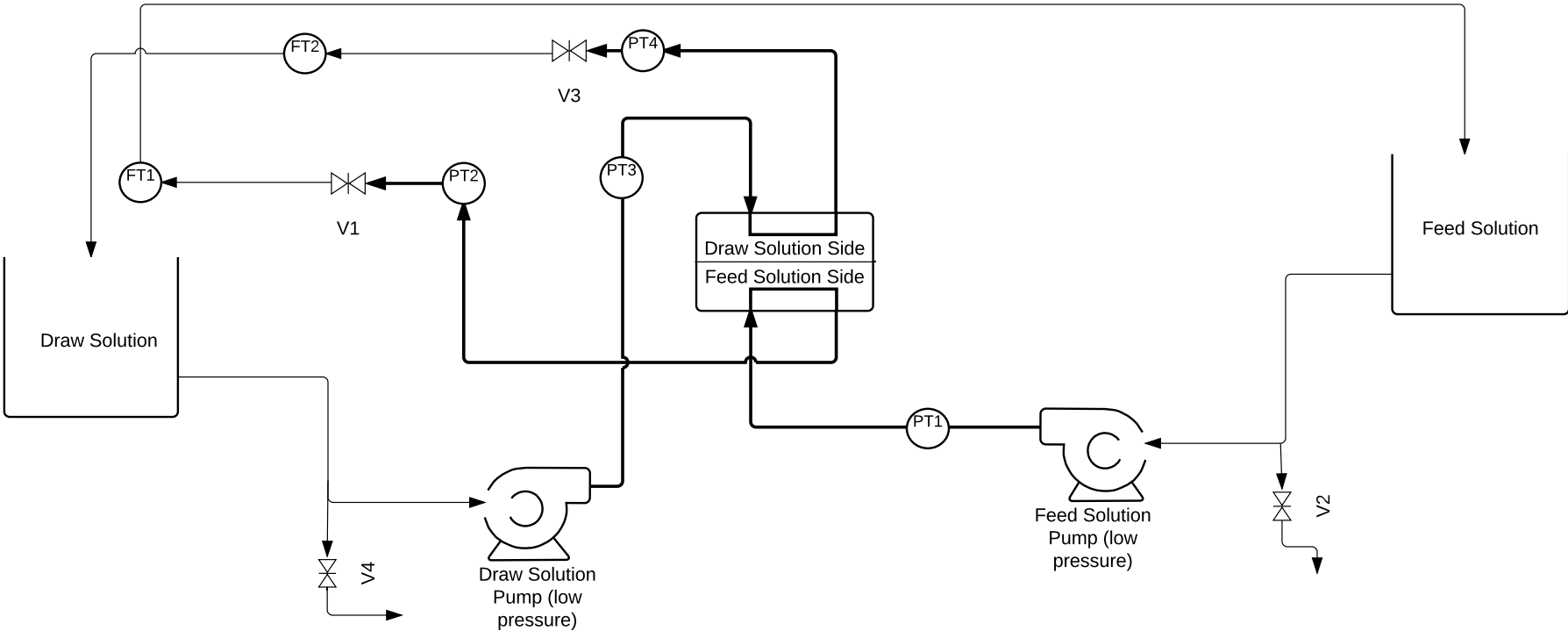
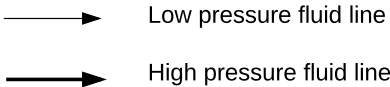


System Configured with Forward Osmosis Cell



Legend

- V1: Feed low pressure control valve
- V2: Feed tank drain valve
- V3: Draw low pressure control valve
- V4: Draw tank drain valve
- PT1: Feed inlet pressure gauge¹
- PT2: Feed outlet pressure gauge
- PT3: Draw inlet pressure gauge¹
- PT4: Draw outlet pressure gauge
- FT1: Feed flow meter
- FT2: Draw flow meter



¹ Optional