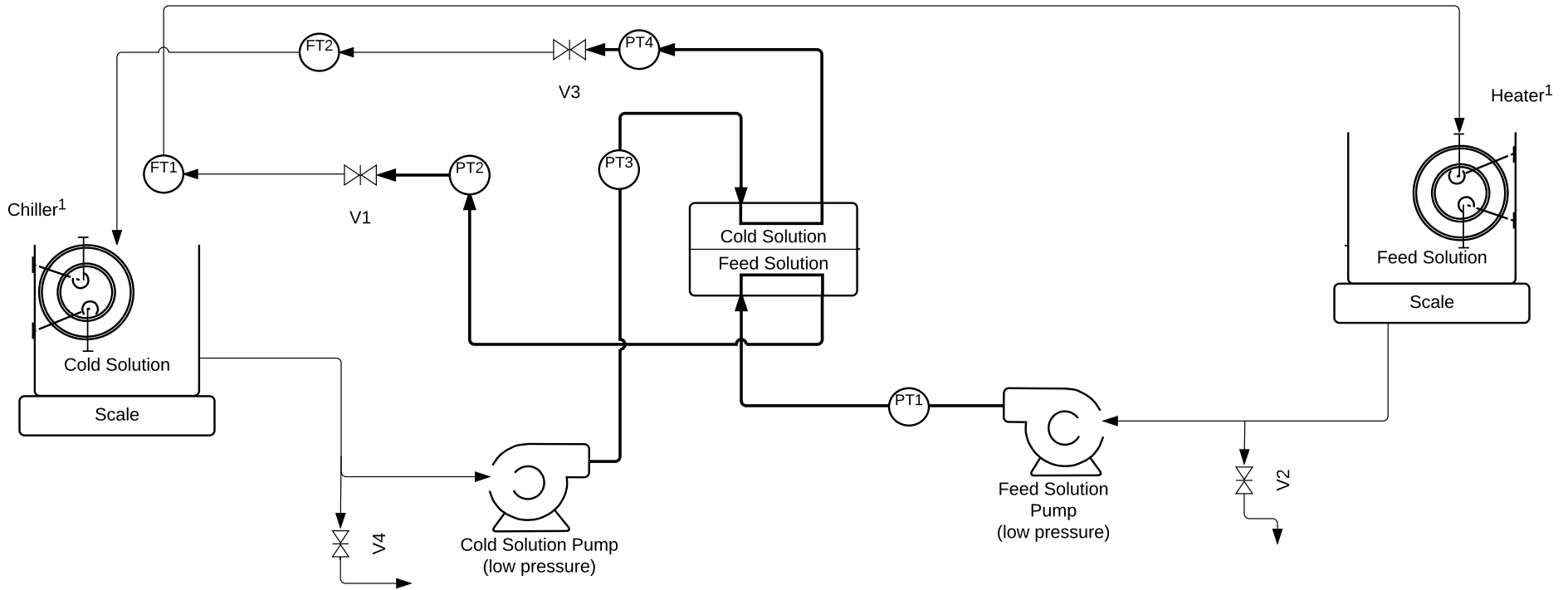


# System Configured with Direct Contact Membrane Distillation Cells



## Legend

- V1: Feed pressure control valve
- V2: Feed tank drain valve
- V3: Cold solution pressure control valve
- V4: Cold solution tank drain valve
- PT1: Feed inlet pressure gauge<sup>1</sup>
- PT2: Feed outlet pressure gauge
- PT3: Cold solution inlet pressure gauge<sup>1</sup>
- PT4: Cold solution outlet pressure gauge
- FT1: Feed flow meter<sup>1</sup>
- FT2: Cold solution flow meter<sup>1</sup>

- Low pressure fluid line
- High pressure fluid line

**STERLITECH**  
Corporation

[www.sterlitech.com](http://www.sterlitech.com) [sales@sterlitech.com](mailto:sales@sterlitech.com)

<sup>1</sup> Optional